



## DCL150 Adjustable Wallpack

### Distinctive Qualities:

- Impact and weather resistant die-cast aluminum construction with glare-free glass prismatic lens
- Field selectable wattage and color temperature



### Technical Specifications:

**Warranty:** 5 Years (labor not included)

**PF:** >0.9     **THD:** <20%

**CRI:** >70

**Rated Voltage:** 120-277 VAC (347V and 480V versions available)

**Distribution Types:** T2 & T4

**Operating Temp:** -30°C - 40°C

**Lifetime:** L70: >50,000 hours

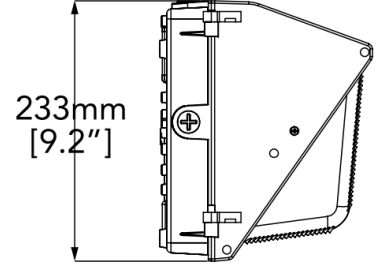
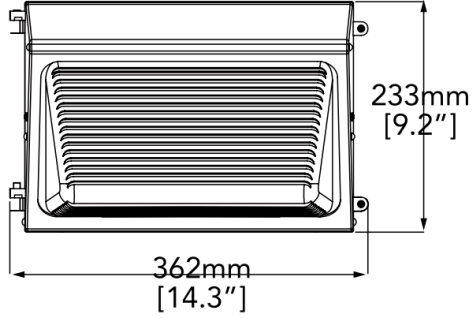
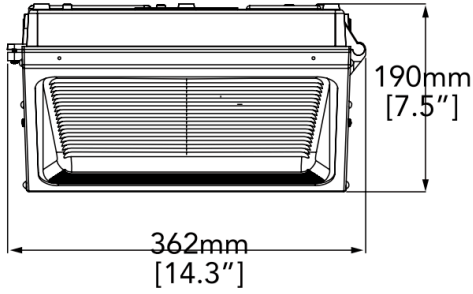
### Designations:



Model No.	Selectable Power	Efficacy	Lumens	Selectable CCT
DCL150A	30W	130 lm/w	3,900	3,000K; 4,000K; 5,000K
	60W		7,800	
	80W		10,400	



## Dimensions



## Photometry

